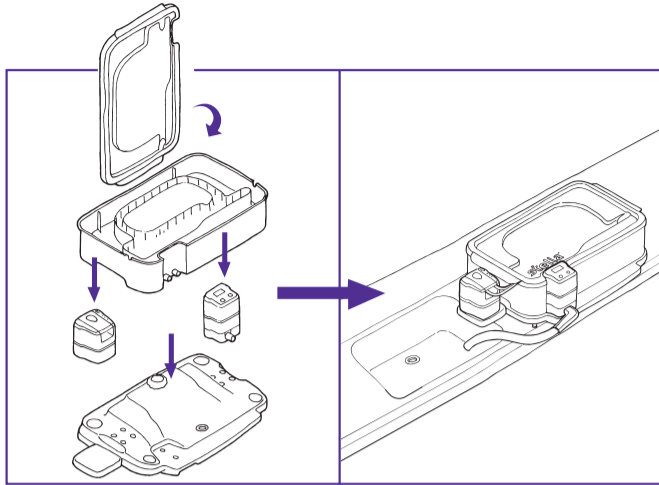


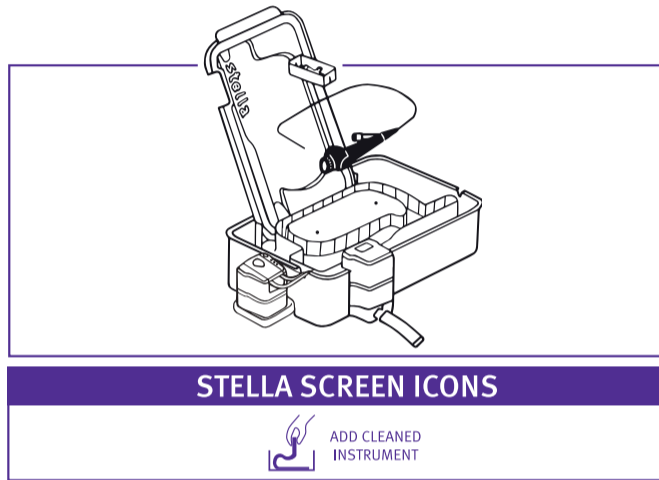
stella™ with Pulse System

High-level disinfection with Tristel Fuse for Stella



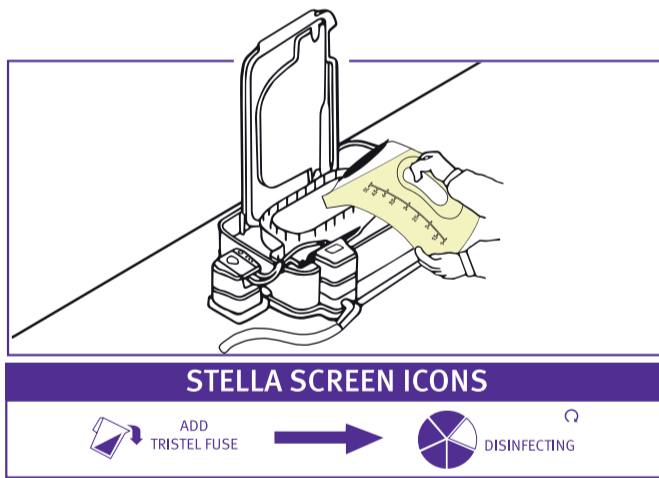
Step 1

Assemble Stella with Pulse on a level surface using Stella cradle, close to a sink.



Step 4

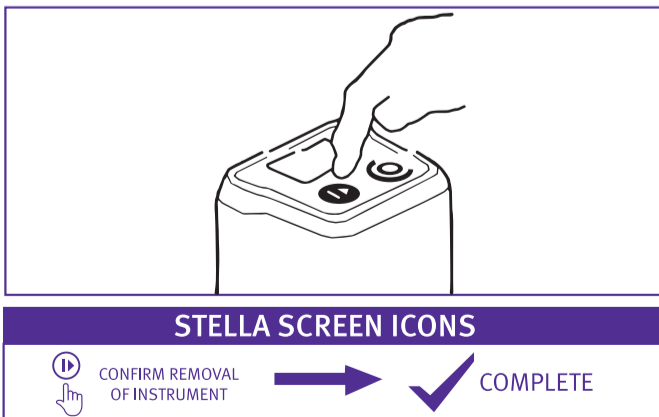
Add the pre-cleaned instrument and small parts tray into the inner instrument compartment of the Base.



Step 7

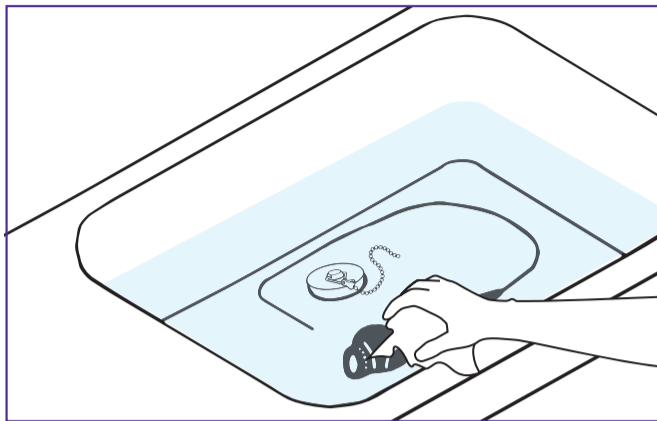
Pour the Tristel Fuse for Stella into the inner instrument compartment until the liquid overflows. Ensure you use all five litres of disinfectant. A beep confirms the start of the five minute cycle.

Note: If Tristel Fuse for Stella is not added to Stella within 10 minutes, the cycle will be automatically aborted by Stella IQ.



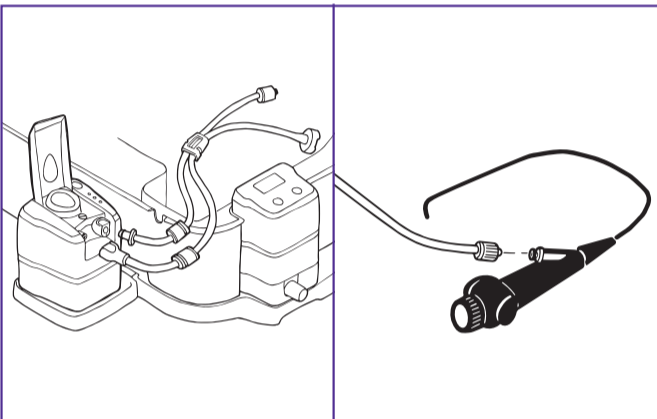
Step 10

Press the OK button to confirm removal of the instrument and to acknowledge that the cycle is complete.



Step 2

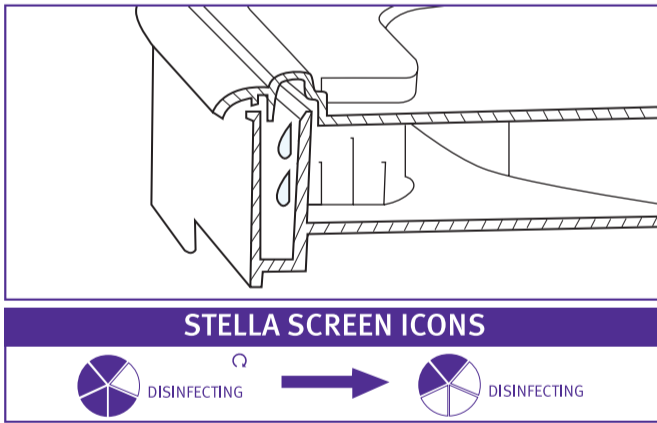
Pre-clean instruments and devices thoroughly, ensuring the pre-clean solution is flushed through the lumens.



Step 5

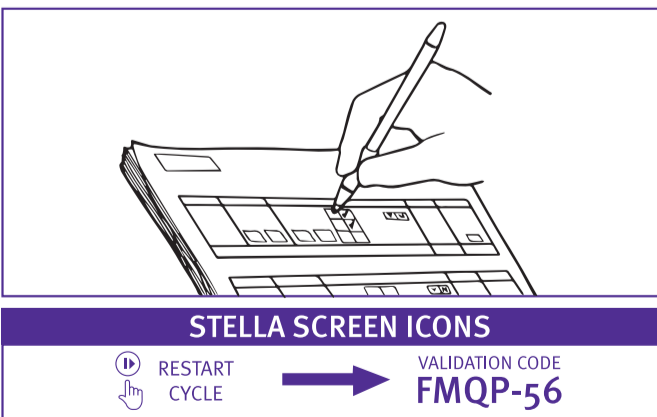
Connect the tube set to Pulse then connect the luer lock to the instrument channel. Place the tube mount on the tray cut out so the pick-up/filter is placed in the inner compartment.

Note: Any cables and parts of the instrument that cannot be submerged, should exit Stella through the designated cut-outs in the side walls of the Base; otherwise leave the rubber grommets in place.



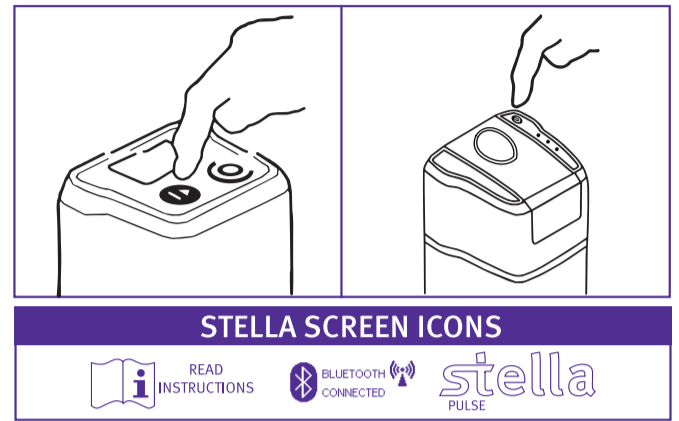
Step 8

Place the Lid onto the Base. This will force water to flow over the side walls of the instrument compartment and create a complete seal. The Stella IQ displays the disinfecting segment automatically counting down five minutes. Stella IQ directs Stella Pulse to pump disinfectant through the channel of the instrument for one minute.



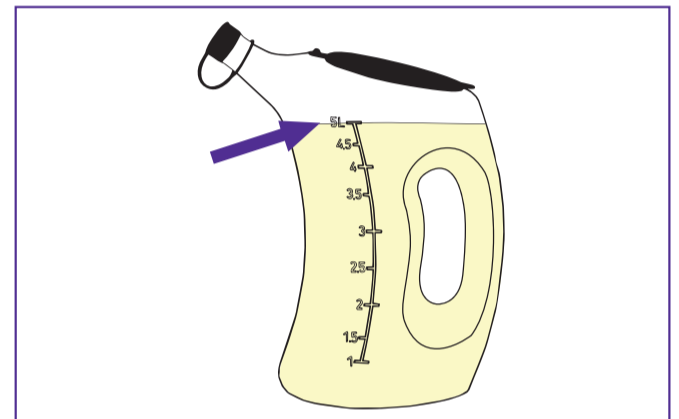
Step 11

Record the validation code in the Patient's Notes or the Stella Quality Audit Trail Record Book. Stella IQ will store all information ready for download to your computer. A new cycle can immediately be started by pressing the OK button again. To turn off, press the OFF button on Stella IQ.



Step 3

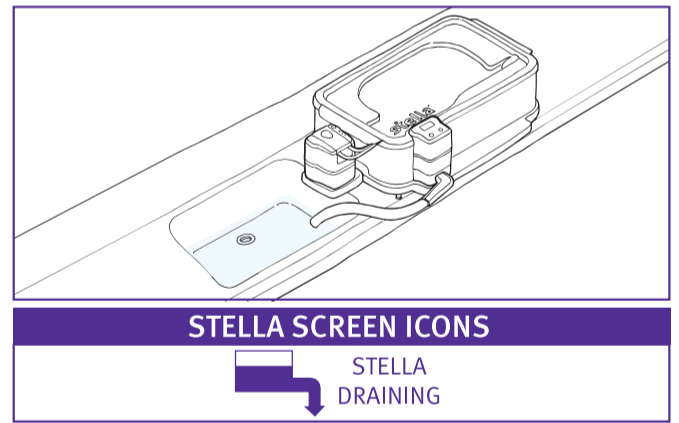
Push the 'ON' button on the Stella IQ and Stella Pulse, until you hear a sound. A Bluetooth connection will automatically occur. Follow the instructions on the Stella IQ.



Step 6

Make up five litres of Tristel Fuse for Stella disinfectant using ambient water. Read the user guide carefully.

Note: Do not use hot water.



Step 9

After five minutes Stella drains the disinfectant automatically. Stella Pulse pumps air through the instrument's channel to remove residual disinfectant. When the Stella Base is empty, there is an audible reminder that the cycle is complete.